

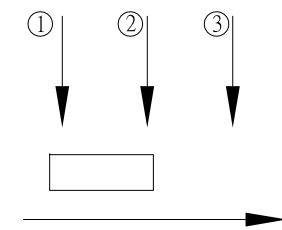
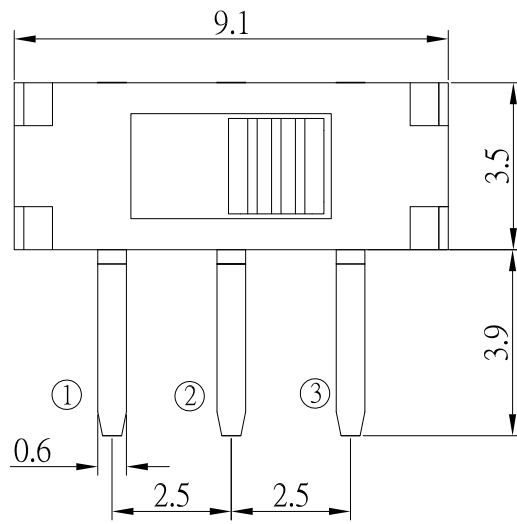
P.C.B LAND PATTERN

SS-B60x-B-S246

Model No.	X (mm)
SS-B60	2.0
SS-B60A	3.0
SS-B60B	4.5
SS-B60C	4.0

SPECIFICATIONS

Rating	0.3A 6V DC
Insulation Resistance	50MΩ Min.
Dielectric Withstanding Voltage	AC 250 V(50Hz)1min
Contact Resistance	100mΩ Max.
Operating Force	200 ± 50gf
Operating Life	10,000 cycles



CIRCUIT DIAGRAM

NO.	DESCRIPTION	QTY	MATERIAL	PLATING
E	TERMINAL	3	PHOSPHOR BRONZE	Ag plated
D	CLIP	1	BEUCU	Ag plated
C	COVER	1	SUS	
B	CASE	1	PA6T	Black
A	SLIDER	1	PA46	Black

7	新增尺寸"2.3"	Jack	041515
6	新增高度选项及更新料號	Jack	031215
5	新增高度选项3.0MM	Jack	111414
4	更新SLIDER COLOR :Black : B	Jack	022614
3	更新SPEC及材質	Jack	071513
2	更新料號	Jack	070413
1	更新Rating	Jack	062813
ITEM NO.	DESCRIPTION	DRAWN	DATE



东莞市高迪电子有限公司
Dong Guan KDRR Electronic Switch Jack Co., Ltd.

TOLERANCE UNLESS OTHERWISE STATED :

Up to 5 ±0.2
Above 5 ~ 15 ±0.3
Above 15 ~ 30 ±0.4
Above 30 ~ 50 ±0.5
Angle ±0.3

3RD. ANGEL'S



UNITS

MM

DRAWN BY:	DATE
Jack Lu	04/15/15
CHECKED BY:	DATE
Jacky Chen	04/15/15
APPROVED BY:	DATE
Tony Kao	04/15/15

MAT'L		TITLE	SWITCH
FINISH		MODLE	SLIDE SWICTH
SCALE	1 : 1	DWG NO.	SS-B60x-B-S246
SHEET NO.	1 of 1	PART NO.	SS-B60x-B-S246

SIZE	A4
VER	R7