

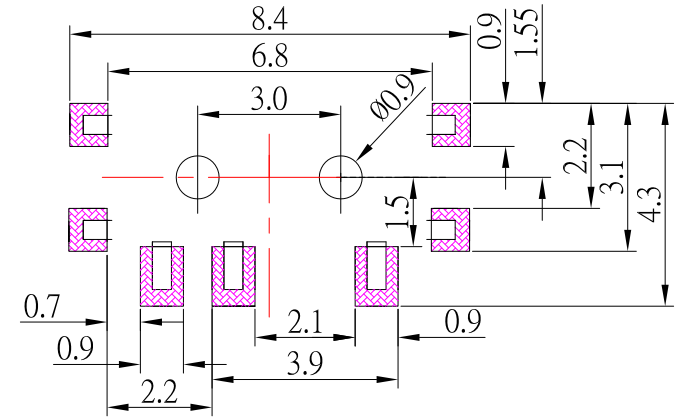
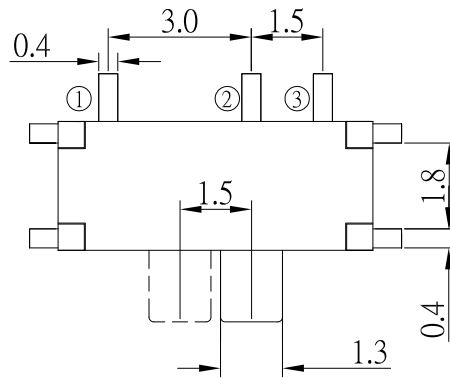


# SS-B90APx-x-S246

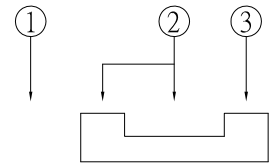
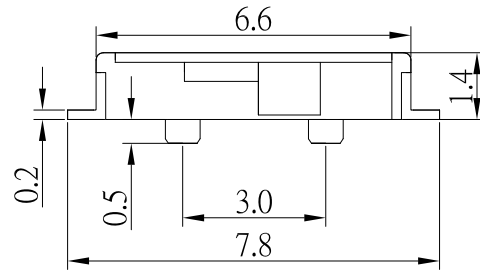
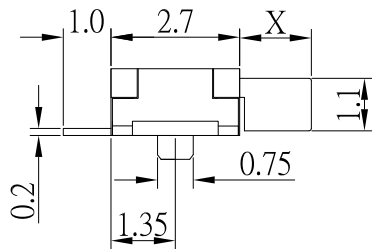
| Model No. | X (mm) |
|-----------|--------|
| SS-B90AP  | 1.5    |
| SS-B90APK | 2.0    |
| SS-B90APL | 2.5    |

SLIDER COLOR :

|           |
|-----------|
| Black : B |
| White : W |



P.C.B LAND PATTERN



CIRCUIT DIAGRAM

## SPECIFICATIONS

|                                 |                    |
|---------------------------------|--------------------|
| Rating                          | 0.3A 4V DC         |
| Insulation Resistance           | 50MΩ Min.          |
| Dielectric Withstanding Voltage | AC 250 V(50Hz)1min |
| Contact Resistance              | 100mΩ Max.         |
| Operating Force                 | 160 ± 100gf        |
| Operating Life                  | 10,000 cycles      |

| NO. | DESCRIPTION | QTY | MATERIAL        | PLATING   |
|-----|-------------|-----|-----------------|-----------|
| F   | CLIP        | 1   | BeCu            | Ag plated |
| E   | TERMINAL    | 1   | PHOSPHOR BRONZE | Ag plated |
| D   | SPRING      | 1   | SUS             |           |
| C   | COVER       | 1   | BRASS           | Ag plated |
| B   | CASE        | 1   | LCP             | Black     |
| A   | SLIDER      | 1   | PA46            |           |

| 6        | 新增尺寸                            | Jack  | 032718 |
|----------|---------------------------------|-------|--------|
| 5        | 新增柄長選項                          | Jack  | 090116 |
| 4        | 更新為A0版                          | Jack  | 012016 |
| 3        | 更新Operating Force : 160 ± 100gf | Jack  | 052314 |
| 2        | 更新材質                            | Jack  | 031814 |
| 1        | 更新SLIDER COLOR : Black : B      | Jack  | 022614 |
| ITEM NO. | DESCRIPTION                     | DRAWN | DATE   |



东莞市高迪电子有限公司  
Dong Guan KDRR Electronic Switch Jack Co., Ltd.

TOLERANCE UNLESS OTHERWISE STATED :

Up to 5 ±0.2  
Above 5 ~ 15 ±0.3  
Above 15 ~ 30 ±0.4  
Above 30 ~ 50 ±0.5  
Angle ±0.3°

3RD. ANGEL'S



UNITS

MM

DRAWN BY: Jack Lu  
CHECKED BY: Jacky Chen  
APPROVED BY: Tony Kao

DATE: 03/27/18  
DATE: 03/27/18  
DATE: 03/27/18

MAT'L  
FINISH  
SCALE: 1 : 1  
SHEET NO. 1 of 1

TITLE: SWITCH  
MODLE: SLIDE SWICTH  
DWG NO.: SS-B90APx-x-S246  
PART NO.: SS-B90APx-x-S246

SIZE: A4  
VER: A2