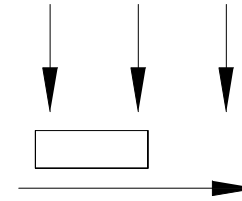
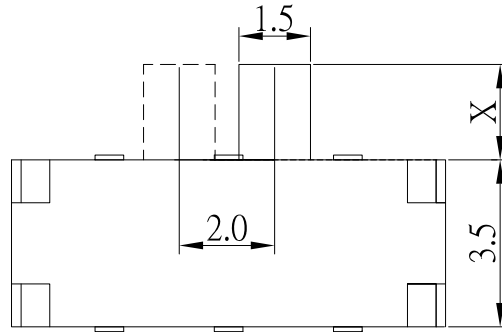
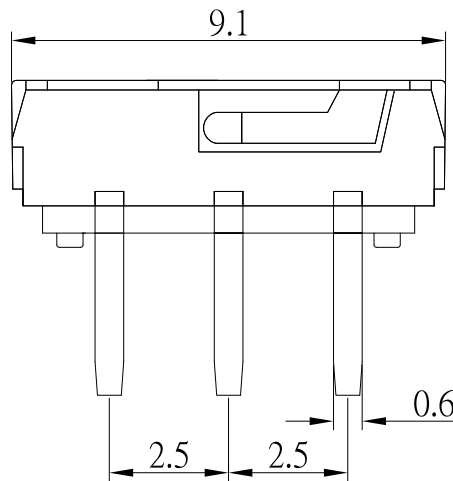
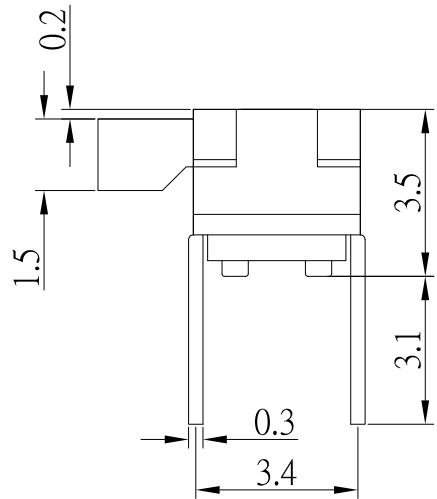


P.C.B LAND PATTERN



CIRCUIT DIAGRAM

MODEL	X
SS-D45	2.0 mm
SS-D45A	4.0 mm



SPECIFICATIONS

Rating	0.3A 6V DC
Insulation Resistance	50MΩ Min.
Dielectric Withstanding Voltage	AC 250 V(50Hz)1min
Contact Resistance	100mΩ Max.
Operating Force	200 ± 50gf
Operating Life	10,000 cycles

NO.	DESCRIPTION	QTY	MATERIAL	PLATING
E	TERMINAL	6	PHOSPHOR BRONZE	Ag plated
D	CLIP	2	Be-Cu	Ag plated
C	COVER	1	SUS	
B	CASE	1	PA46	Black
A	SLIDER	1	PA46	Black

ITEM NO.	DESCRIPTION	DRAWN	DATE
3	更新材質及Insulation Resistance	Jack	050615
2	更新CLIP材質	Jack	061614
1	更新為A0版	Jack	060414


**东莞市高迪电子有限公司**  
 Dong Guan KDRR Electronic Switch Jack Co., Ltd.

TOLERANCE UNLESS OTHERWISE STATED:  
 Up to 5 ±0.2  
 Above 5 ~ 15 ±0.3  
 Above 15 ~ 30 ±0.4  
 Above 30 ~ 50 ±0.5  
 Angle ±0.3°

3RD. ANGEL'S  

 UNITS MM

DRAWN BY:	DATE	MAT'L	TITLE	SWITCH
Jack Lu	05/06/15			
CHECKED BY:	DATE	FINISH	MODLE	SLIDE SWICTH
Jacky Chen	05/06/15			
APPROVED BY:	DATE	SCALE	DWG NO.	SS-D45x-B-S246
Tony Kao	05/06/15	1 : 1		
		SHEET NO.	PART NO.	SS-D45x-B-S246
		1 of 1		

SIZE	A4
VER	A2