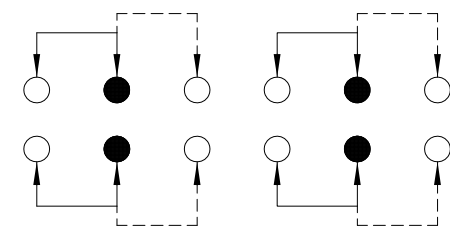
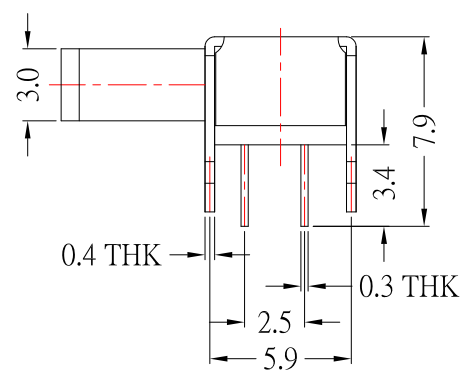
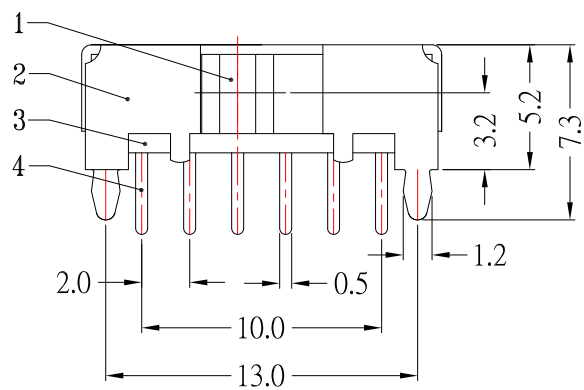


P.C.B LAYOUT
BOTTOM VIEW



SCHEMATIC



Model No.	X(mm)
SK-42D01-G2	2.00
SK-42D01-G3	3.00
SK-42D01-G4	4.00
SK-42D01-G5	5.00
SK-42D01-G6	6.00
SK-42D01-G7	7.00
SK-42D01-G8	8.00
SK-42D01-G9	9.00

SPECIFICATIONS

Rating	0.3A 50V DC
FUNCTION	4P2T
Contact Resistance	200mΩ Max.
Insulation Resistance	100MΩ Min.
Operating Force	300gf ± 100gf
Operating Life	10,000 cycle

NO.	PARTS	MATERIALS	Q'TY	FINISH
6	SPRING PLATE	SUS	1	NATURAL
5	CONTACT CLIP	PBS	4	Ag PLATED
4	TERMINAL	BRASS	12	Ag PLATED
3	BASE	PHENOLIC RESIN	1	NATURAL
2	FRAME	STEEL	1	Ni PLATED
1	KNOB	POM	1	BLACK

东莞市高迪电子有限公司
Dong Guan KDRR Electronic Switch Jack Co., Ltd.

TOLERANCE UNLESS OTHERWISE STATED:
 Up to 5 ±0.2
 Above 5 ~ 15 ±0.3
 Above 15 ~ 30 ±0.4
 Above 30 ~ 50 ±0.5
 Angle ±0.3°

3RD. ANGEL'S
 UNITS MM

DRAWN BY: Jack Lu DATE: 11/19/14
 CHECKED BY: Jacky Chen DATE: 11/19/14
 APPROVED BY: Tony Kao DATE: 11/19/14

MAT'L	TITLE	MODLE	DWG NO.	PART NO.	SCALE	SHEET NO.	SIZE
	SWITCH	SLIDE SWITCH	SK-42D01-Gx-S191	SK-42D01-Gx-S191	1 : 1	1 of 1	A4
							VER R1

ITEM NO.	DESCRIPTION	DRAWN	DATE
1	新增SPEC	Jack	111914